

# OCEAN MONITORING

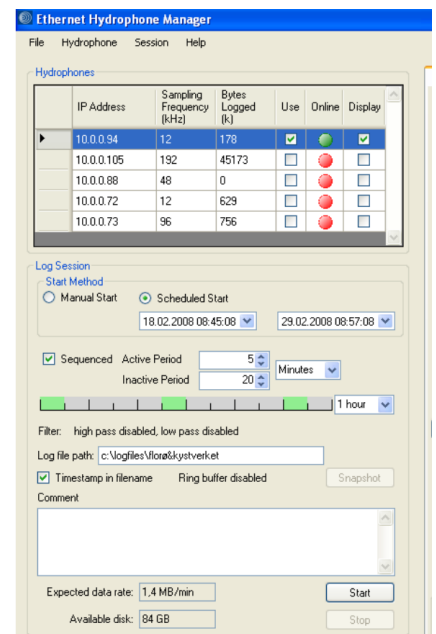
## NAXYS EHYD

### 'Plug & Play' Ethernet Hydrophone

The Naxys Ethernet hydrophone provides world class robustness and connects directly to the Ethernet port of a standard PC. It covers 5 Hz to 300 KHz, with selectable sampling rate in steps from 6 KHz up to 768 KHz and selectable gain in steps; 0-10-20-40 dB. The Manager software offers a selectable frequency filter and as well as ring buffer data storage. Configurations and all other operational controls are done from the Manager software. After signal recording and storage, files can be processed further with the Naxys Analyzing software or programs like Mat lab, MathCAD, Cool EDIT or Lab VIEW.

*After a thorough evaluation process we found that the Naxys Ethernet hydrophone produced impressive data quality and fulfilled our requirements for long term deployment.*

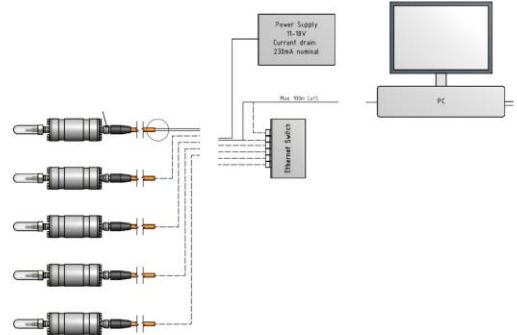
*Bjørn Bjerketveit, FFI (Norwegian Defence Research Establishment)*



## FEATURES

- Extremely robust
- Ethernet plug & play
- Titanium housing
- Configurable gain
- Configurable sampling rate
- Multiple hydrophones to single PC
- Optional analytic software

System of 5 Ethernet Hydrophones, linked through one router/switch, and controlled by one PC



Parameter	Value	Unit/Comments
Sensitivity	-205 + variable gain	dB rel V/ $\mu$ Pa
Element sensitivity	-211	dB rel V/ $\mu$ Pa
Frequency range	5 – 300 k	Hz
Maximum operational depth	3 000	meters
Directivity pattern	Omnidirectional	Ref to axis
Digital resolution	16	bit
Power supply	11-18 V , 18-30 V, 2.5 W	
Sensitivity accuracy	+/- 3	dB
Sampling frequency	6-12-24-48-96-192-384-768	kHz
Selectable frequency cut-off	Any levels, upper and lower	kHz
Selectable ring buffer storage	User configurable size	K Byte
Gain levels	0-10-20-40	dB + 6dB basic
Analogue output	0 to +/-2.5 (max)	V
Analogue output sensitivity	-205 + variable gain	dB rel V/ $\mu$ Pa
Digital Interface	Ethernet 100BASE-Tx	
Temperature range	-2 to +45 / -25 to +85	deg C (operational/storage)
Dimensions	301 / 75	mm (length/diameter)
Weight	2.38	kg
Housing	Titanium	Grade 2